

ENGLISH

Volume

1

MMF CASH DRAWER
Printer-Driven Interface

Instruction Manual
/User Guide

Printer - Driven Interface - User Manual

The MMF Printer-Driven Interface is part of the upgradeable interface series of electronic boards located behind the cash drawer's body which enables the unit to be controlled electronically by the receipt printer.



Getting Started

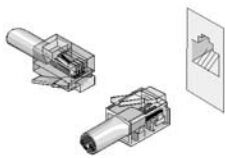


- ☑ Prepare a location for the cash drawer by selecting a secured, leveled surface that is no smaller than the cash drawer.
- ☑ Operating temperature should be controlled at 20° F to 100° F (-7° C to 37° C).
- ☑ Position the cash drawer and remove any packing tape or guards from the tray.

Connections

Warning!
Make all electrical connections to the cash drawer with the computer's power turned off.

The printer-driven Interface has been designed to be used with a variety of POS printers by connecting printer specific cables.



- ❶ Connect one side of the corresponding printer-specific MMF RJ-12 Cable to the interface connection located under the cash drawer. The end of the cable that has a label with the MMF cable part number will plug into the Cash Drawer and the end that has a label that reads: **“Connect to Printer”** would plug into the receipt printer.
- ❷ Follow the set-up instructions and set proper open codes from the printer manufacturer manual to properly connect the cash drawer to the receipt printer.

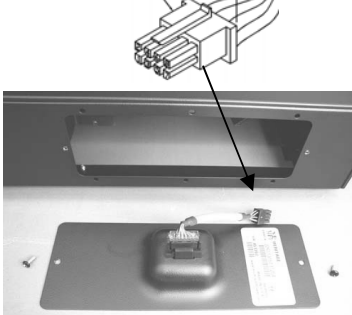
Replacement / Removal of Interface

The interfaces can be upgraded in the field to/from Printer-Driven, Standard Serial, Multi-Serial and/or USB connections to meet the changing needs of your POS system.

For replacement parts and/or accessories, contact your supplier or visit our website at <http://www.mmfcashdrawer.com>

- Disconnect RJ-12 connector from receipt printer and interface.
- Unscrew the two (2) side screws of the interface located on the back of the cash drawer.

NOTE: Molex connector end that should be carefully disconnected



- Locate internal cable connected to the latch mechanism with an 8-position male Molex connector and carefully disconnect the middle connection. Do not disconnect the end of the cable that is connected to RJ-12 Plug.
- Upgrade or replace interface by reconnecting the internal cable's middle connection with the Molex connector of new interface. If upgrading to Standard, Multi-Serial, or USB, the circuit board must not be touched, please hold interface by the mounting plate. Screw both sides of mounting plate back in place.

Cash Drawer Maintenance

Troubleshooting:



- Cash Drawer does not open electronically
 - MMF Cash Drawer's Printer-Driven Interface connects directly to a receipt printer. This connection requires the POS application to send the proper **opening codes** to the printer, which will then send the signal to open the Cash Drawer. Consult the documentation or manuals for your particular printer for the proper open codes.
 - Verify the correct end of the RJ-12 printer cable is connected to the cash drawer as well as the printer.
 - Verify correct position of the lock. If using a three position lock, the lock would need to be in the 12 o'clock position for MediaPLUS Series cash drawers or 3 o'clock position for Heritage Series cash drawers to open electronically.
 - Verify Baud Rate, Parity, Data Bits, and Stop Bits are set correctly for your software. Baud Rate should be set between 110-9600. If your computer is not set within this specification, correct it in your printer software.
- Cash Drawer does not open manually or electronically
 - Make sure all packing tapes were removed from the cash tray and that no foreign objects are obstructing the cash tray from opening.



Support:

Please visit MMF Cash drawer on-line at www.mmfcashdrawer.com for FREE Technical Support or call 1-800-769-1954.